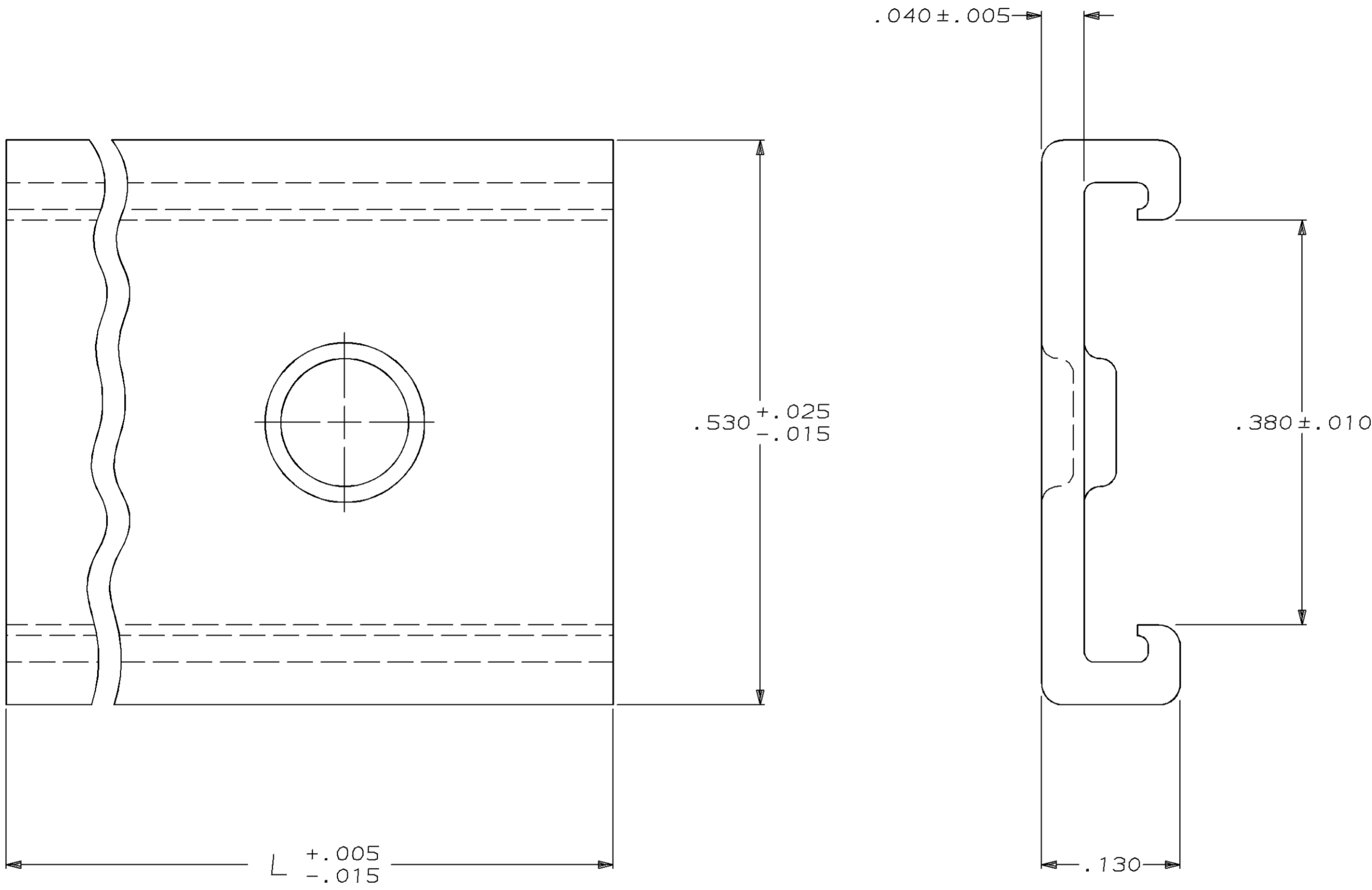


THIS DRAWING IS UNPUBLISHED. RELEASED FOR PUBLICATION, 19 .  
 © COPYRIGHT 19 BY AMP INCORPORATED. ALL INTERNATIONAL RIGHTS RESERVED.

LOC	DIST	P	F	ZONE	LTR	REVISIONS		DATE	APPD
CM	54				K	DESCRIPTION			
						OBS 1-6 PER EC 0730-0141-96		6-27-96	BL RS



3.780	96.01	24	2-641106-4
3.624	92.05	23	2-641106-3
3.468	88.09	22	2-641106-2
3.312	84.12	21	2-641106-1
3.156	80.16	20	2-641106-0
2.844	72.24	18	1-641106-8
2.376	60.35	15	1-641106-5
1.908	48.46	12	1-641106-2
1.440	36.58	9	641106-9
.972	24.69	6	641106-6
.660	16.76	4	641106-4
.504	12.80	3	641106-3
IN	MM	NO. OF	PART NUMBER
L		CIRCUITS	

.530	13.46
.380	9.65
.130	3.30
.040	1.02
.025	0.64
.015	0.38
.010	0.25
.005	0.13
IN	MM

CONVERSION TABLE

**METRIC**

DO NOT SCALE PRINT. UNLESS SPECIFIED DIMENSIONS IN INCHES TOLERANCES ON : 2 PLC DEC ± - 3 PLC DEC ± .015 ANGLES ± -		DR N. GANNON 8-8-91	PART NO	
MATERIAL POLYESTER NATURAL UL94V-0	CHK R. SWING 8-8-91	APPD T. WERT 8-8-91	AMP AMP Incorporated Harrisburg, PA 17105-3608	
FINISH -	APPD T. WERT 8-8-91	PRODUCT SPEC -	NAME COVER, EDGE CONNECTOR, MTA-156	
APPLICATION SPEC -	WEIGHT -	SIZE C	CAGE CODE 00779	DRAWING NO 641106
		SCALE 10:1	SHEET 1 OF 1	